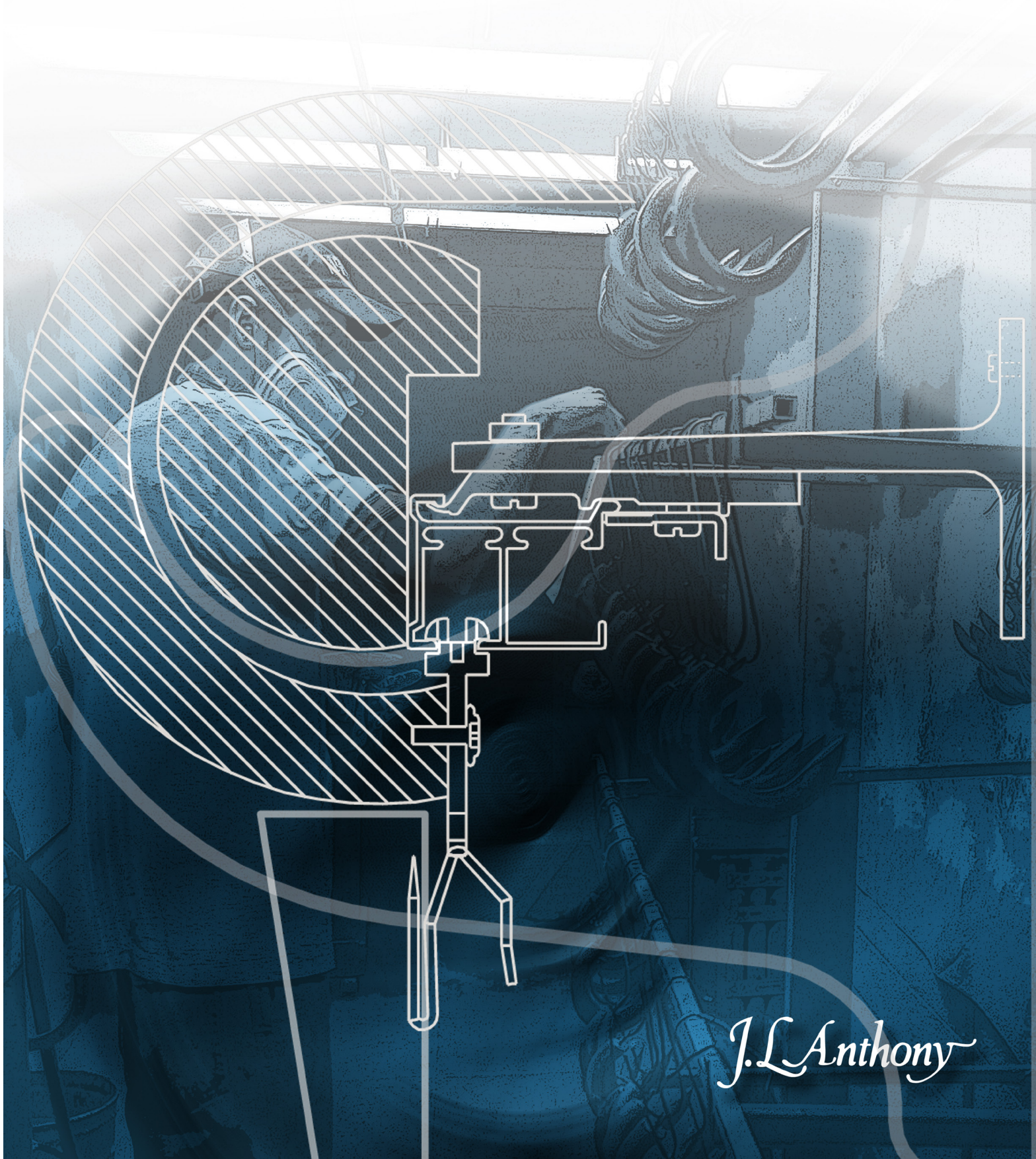


TECHNICAL GUIDE

TECHNICAL INFORMATION FOR J.L ANTHONY DRAPERY HARDWARE



J.L Anthony

TABLE OF CONTENTS

Finishes 3

Pole Styles & Sizes 4

Finial Specifications 5-10

Tieback Specifications 11

Bracket Specifications 12

Ring Specifications 13

3" Pole Specifications 14-16

2-1/4" Pole Specifications 17-19

2" Pole Specifications 20-22

Measurements for Bay Windows . . . 23

FINISHES

GOLD COLLECTION

AG	Antiqued Gold*
BGL	Bright Gold Leaf
BG	Burnished Gold*
CSG	Church Street Gold*
PG	Provencal Gold*
SG	Sunset Gold*

SILVER COLLECTION

AR	Argent*
BSL	Bright Silver Leaf
HS	Heirloom Silver*
PE	Pewter*
TS	Tarnished Silver*
PL	Platinum*
SR	Silver Royale*

WOOD COLLECTION

BMP	Black Maple
BS	Burnt Sienna
CH	Chestnut
CM	Cordovan Mahogany
DPI	Dark Pickled
DWN	Dark Walnut
DP	Distressed Pecan
DW	Driftwood
EB	Ebony
EWP	English Waxed Pine
FP	French Pine
HK	Hickory
LC	Light Cherry
LW	Light Walnut
MS	Moss
PW	Pickled White
RW	Rosewood

* Premium Finish

FAUX & PAINTED COLLECTION

Metallics

BN	Black Nickel
CLI	Classic Iron*
DB	Dark Bronze
DC	Dark Copper
SS	Stainless Steel

Exotics

SM	Samoa*
TI	Tahiti*
TO	Tonga*

Milkwash

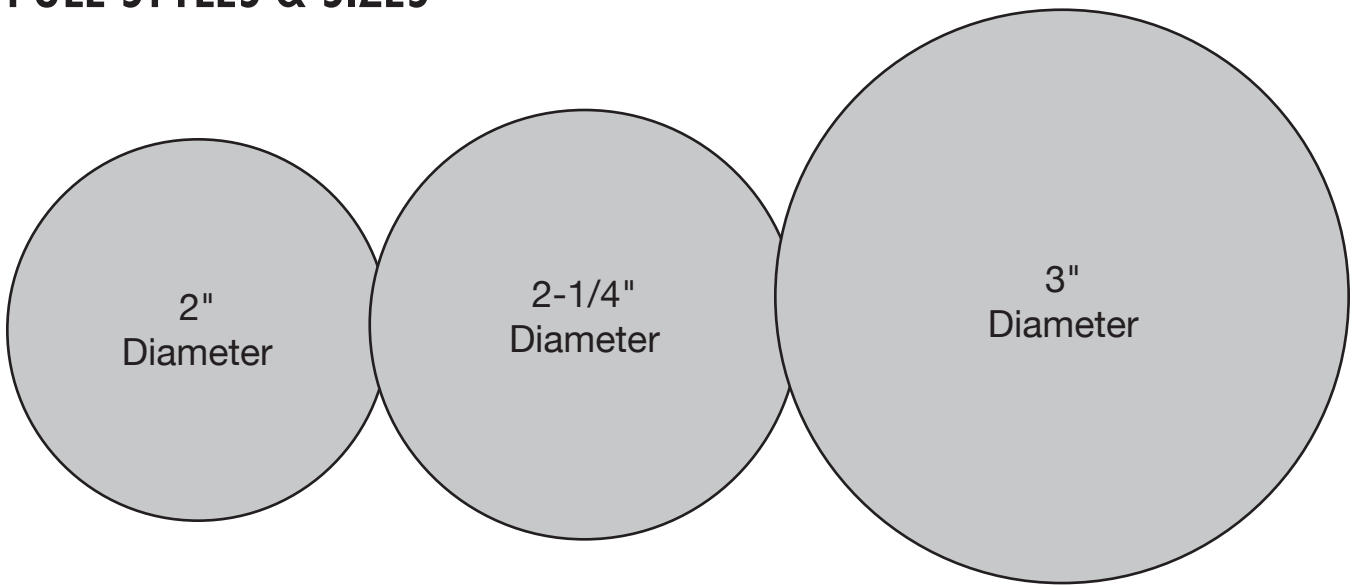
BM	Blue Milkwash
MM	Moss Milkwash
NM	Natural Milkwash
RM	Rose Milkwash
YM	Yellow Milkwash

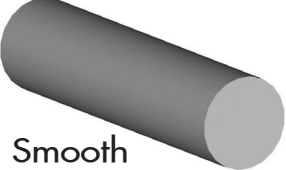
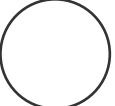
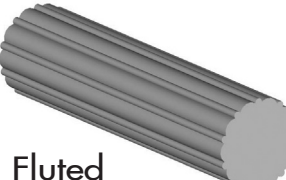

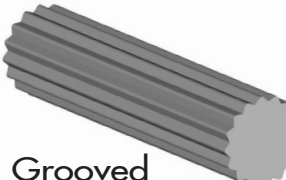

Solid, Faux & Textured

AW	Arctic White
BL	Black Lacquer
BW	Faux Burlled Walnut
CF	Copper Fire
CI	Cracked Ice
PA	Parchment
PB	Piano Black
SA	Sage
TOS	Faux Tortoise Shell
TR	Travertine

POLE STYLES & SIZES

Pole Styles



Style		Diameter	Full Round	Traversing	Non-Traversing
 Smooth		3"	x	x	x
		2-1/4"	x	x	x
		2"	x	x	x
 Fluted		3"	x	x	x
		2-1/4"	x	x	x
		2"	x	x	x
 Grooved		3"	x	x	x
		2-1/4"	x	x	x
		2"	N/A	N/A	N/A

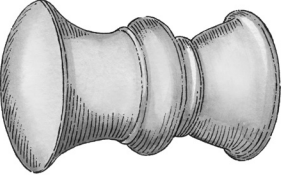
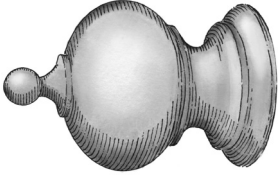

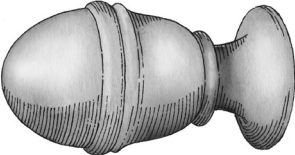
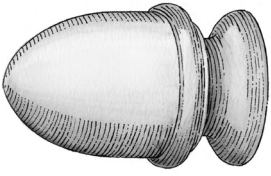
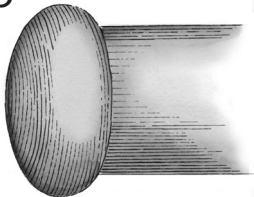
All pole prices are per foot. Each pole is cut to exact size, price is rounded up to the next full foot. Maximum wood pole length in one piece is 16 ft. (192"). Poles longer than 16 ft. will be spliced. Splicing will be centered unless otherwise specified. Traversing tracks are available in one piece up to 20 ft. Center opening traversing tracks over 16 ft. will be center spliced to match wooden pole unless otherwise specified. One way draw tracks over 16 ft. up to 20 ft. will have the wood spliced in center unless otherwise specified.

Brackets are not included with the Full Round Poles and must be purchased separately. Concealed brackets with 4" return are included with all Traversing and Non-Traversing poles. For longer projection brackets - see the Custom Brackets section on page 9 of the JL Anthony Retail Pricelist.

Motorization is available with Traversing poles, see page 10-11 in the JL Anthony Retail Pricelist for more information.



FINIAL SPECIFICATIONS

Finial	Item	Pole Size	Diameter	Length
Bordeaux - 01 	F300-01	3"	3-1/2"	5-3/4"
	F225-01	2" & 2-1/4"	2-7/8"	4-1/4"
Mt. Vernon - 02 	F300-02	3"	3-3/4"	5-1/2"
	F225-02	2" & 2-1/4"	2-7/8"	4-1/8"
Essex - 03 	F300-03	3"	3-1/2"	6-3/4"
	F225-03	2" & 2-1/4"	2-3/4"	5"
Lexington - 04 	F300-04	3"	3-7/8"	6-1/2"
	F225-04	2" & 2-1/4"	2-3/4"	5"
Plymouth - 05 	F300-05	3"	3-3/4"	5-3/4"
	F225-05	2" & 2-1/4"	2-3/4"	4-1/2"
Cap - 06 	F300-06	3"	3-3/4"	1-1/2"
	F225-06	2" & 2-1/4"	2-3/4"	1"

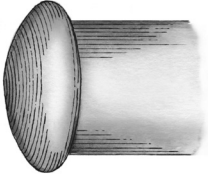
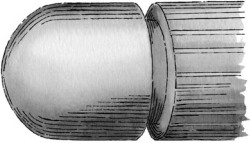
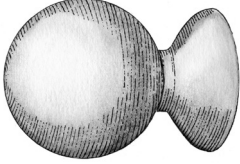
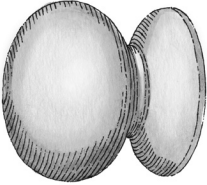
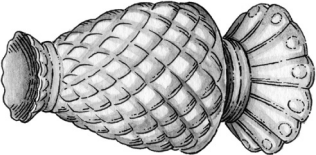
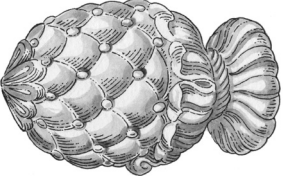
Finials

JL Anthony finials, brackets and rings are composed of wood, resin, metal or combinations of those materials. Contact the factory for specific information.

J.L. Anthony

FINIAL SPECIFICATIONS

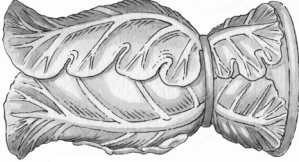
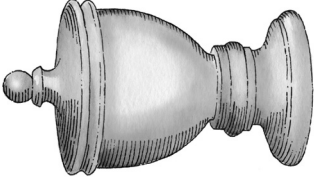
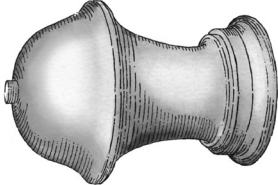
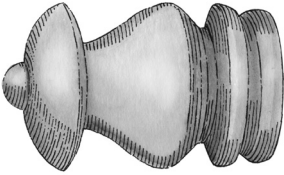
Finials

Finial	Item	Pole Size	Diameter	Length
Thin Cap - 06s 	F300-06s	3"	3-5/8"	3/4"
	F225-06s	2" & 2-1/4"	2-3/4"	3/4"
Abbott - 07 	F300-07	3"	3"	3-1/2"
	F225-07	2" & 2-1/4"	2-1/4"	2-5/8"
Stratford - 08 	F300-08	3"	3-3/4"	5-1/4"
	F225-08	2" & 2-1/4"	2-3/4"	3-7/8"
Gillon - 09 	F300-09	3"	3-7/8"	3-3/4"
	F225-09	2" & 2-1/4"	2-3/4"	2-5/8"
Lorraine - 10 	F300-10	3"	3-3/4"	7"
	F225-10	2" & 2-1/4"	3"	5-7/8"
Armstrong - 11 	F300-11	3"	4-1/2"	7-1/2"
	F225-11	2" & 2-1/4"	3"	5-1/8"

JL Anthony finials, brackets and rings are composed of wood, resin, metal or combinations of those materials. Contact the factory for specific information.

J.L. Anthony

FINIAL SPECIFICATIONS

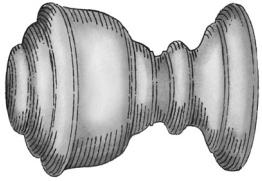
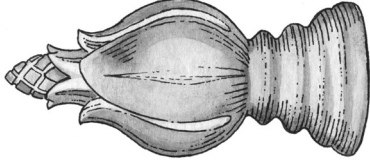
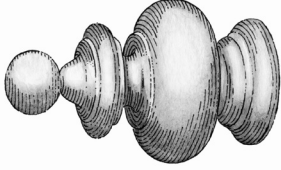
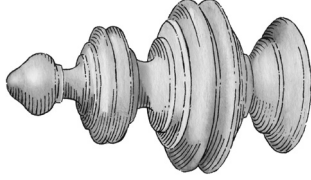
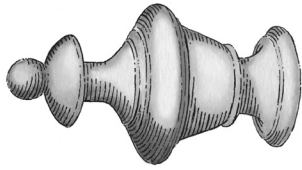
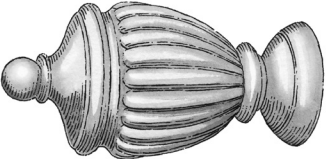
Finial	Item	Pole Size	Diameter	Length
Miramar - 15 	F300-15	3"	4-1/4"	6-1/4"
	F225-15	2" & 2-1/4"	3"	5"
Beverly - 16 	F300-16	3"	3-1/2"	6"
	F225-16	2" & 2-1/4"	2-7/8"	5"
Belfort - 18 	F300-18	3"	4-1/2"	6"
	F225-18	2" & 2-1/4"	3-1/4"	4-1/2"
Drexel - 19 	F300-19	3"	4"	6"
	F225-19	2" & 2-1/4"	2-5/8"	4-7/8"

Finials

JL Anthony finials, brackets and rings are composed of wood, resin, metal or combinations of those materials. Contact the factory for specific information.

FINIAL SPECIFICATIONS

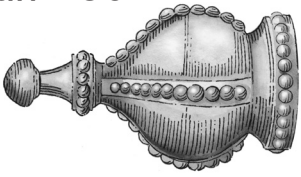
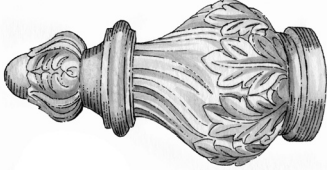

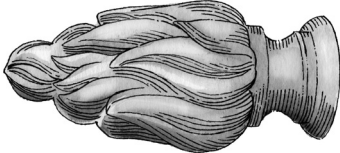
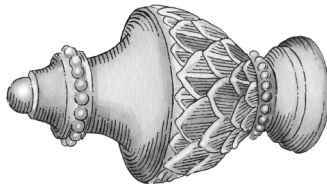
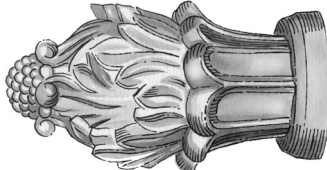
Finials

Finial	Item	Pole Size	Diameter	Length
Livingston - 23 	F300-23	3"	3-1/2"	5-1/2"
	F225-23	2" & 2-1/4"	3"	3-5/8"
Tulip - 25 	F300-25	3"	3-1/2"	8"
	F225-25	2" & 2-1/4"	2-3/4"	6"
Bannister - 26 	F300-26	3"	5"	6-7/8"
	F225-26	2" & 2-1/4"	3-3/4"	5-3/4"
Spindle - 27 	F300-27	3"	4-1/2"	8"
	F225-27	2" & 2-1/4"	3-1/2"	6"
Chippendale - 28 	F300-28	3"	5"	8-1/4"
	F225-28	2" & 2-1/4"	3-1/2"	6-1/2"
Urn - 29 	F300-29	3"	4-3/4"	8-3/4"
	F225-29	2" & 2-1/4"	3-1/2"	7"

JL Anthony finials, brackets and rings are composed of wood, resin, metal or combinations of those materials. Contact the factory for specific information.

J.L. Anthony

FINIAL SPECIFICATIONS

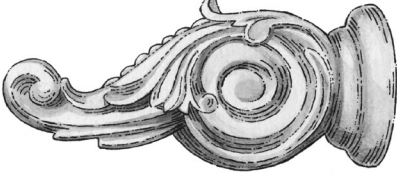
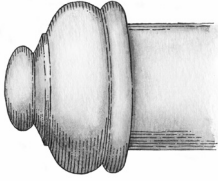
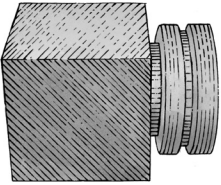
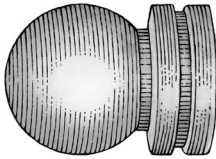
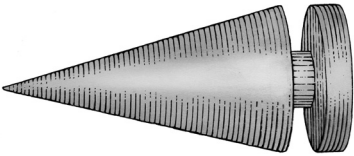
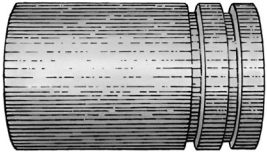
Finial	Item	Pole Size	Diameter	Length
Russian - 30 	F300-30	3"	6"	8-1/2"
	F225-30	2" & 2-1/4"	4-1/2"	6-1/2"
Louis - 31 	F300-31	3"	4-1/2"	7-3/4"
	F225-31	2" & 2-1/4"	3-1/2"	6-1/2"
Leaf - 32 	F300-32	3"	4-1/2"	8"
	F225-32	2" & 2-1/4"	3-3/4"	5-3/4"
Flame - 33 	F300-33	3"	4"	8-1/4"
	F225-33	2" & 2-1/4"	3"	6"
Napoleon - 35 	F300-35	3"	5"	9"
	F225-35	2" & 2-1/4"	3-1/2"	6"
Cantebury - 36 	F300-36	3"	4"	7"
	F225-36	2" & 2-1/4"	3-1/4"	6"

Finials

JL Anthony finials, brackets and rings are composed of wood, resin, metal or combinations of those materials. Contact the factory for specific information.

FINIAL SPECIFICATIONS

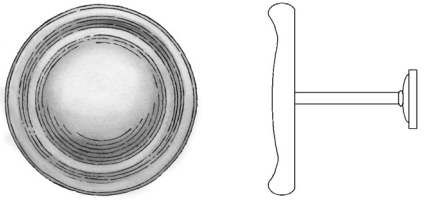
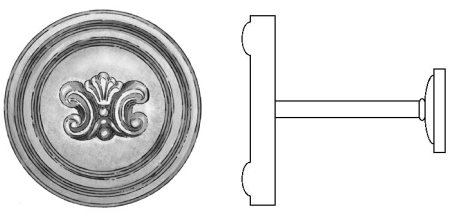
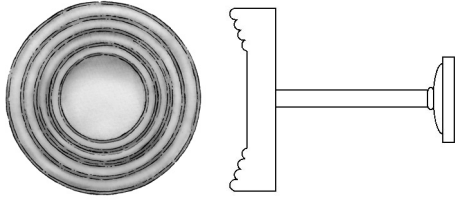
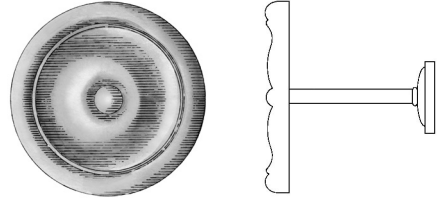
Finials

Finial	Item	Pole Size	Diameter	Length
Acanthus - 37 	F300-37	3"	3-3/4"	7-1/2"
	F225-37	2" & 2-1/4"	3"	6-1/2"
Belclaire - 38 	F300-38	3"	3-1/2"	2-5/8"
	F225-38	2" & 2-1/4"	2-3/4"	1-7/8"
Wurfel - 39 	F300-39	3"	N/A	N/A
	F225-39	2" & 2-1/4"	2-3/4"	4"
Sphare - 40 	F300-40	3"	N/A	N/A
	F225-40	2" & 2-1/4"	2-3/4"	3-3/4"
Kegel - 41 	F300-41	3"	N/A	N/A
	F225-41	2" & 2-1/4"	2-1/2"	6"
Zylinder - 42 	F300-42	3"	N/A	N/A
	F225-42	2" & 2-1/4"	2-3/4"	4-1/4"

JL Anthony finials, brackets and rings are composed of wood, resin, metal or combinations of those materials. Contact the factory for specific information.

J.L. Anthony

TIEBACK SPECIFICATIONS








Tieback	Item	Diameter	Return
Discus - 301 	TB-301-350	6"	4"
	TB-301-550	6"	6"
Fleur de Lis - 302 	TB-302-350	4-1/4"	4"
	TB-302-550	4-1/4"	6"
Nouveaux - 303 	TB-303-350	4"	4"
	TB-303-550	4"	6"
Heritage -304 	TB-304-350	5"	4"
	TB-304-550	5"	6"

JL Anthony finials, brackets and rings are composed of wood, resin, metal or combinations of those materials. Contact the factory for specific information.

Tiebacks

BRACKET SPECIFICATIONS

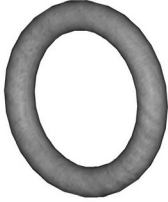



Brackets

Bracket	Item #	Pole Size	Return	Height	Projection
Plain, Single Return 	B300-1	3"	4"	7-1/8"	7-1/4"
	B225-1	2" & 2-1/4"	4"	6-3/4"	6-5/8"
Plain, Double Return 	B300-2	3"	7"	7-1/4"	10-3/8"
	B225-2	2" & 2-1/4"	7"	7"	9-3/4"
Fierro, Single Return 	B300-3	3"	4"	8"	7-3/4"
	B225-3	2" & 2-1/4"	4"	8"	7-5/8"
Fierro, Double Return 	B300-4	3"	7"	7-3/4"	10-1/2"
	B225-4	2" & 2-1/4"	7"	7-7/8"	10-5/8"
End Socket 	B300-5	3"	N/A	3-3/4"D	N/A
	B225-5	2" & 2-1/4"	N/A	3-1/4"D	N/A
Euro Cup, Single Return 	B300-6	3"	4-3/4"	4"	7"
	B225-6	2-1/4"	4-1/4"	3"	6-1/8"
	B200-6	2"	4"	2-3/4"	5-3/4"
Euro Cup, Double Return 	B300-7	3"	N/A	N/A	N/A
	B225-7	2-1/4"	6-1/2"	3"	8-1/2"
	B200-7	2"	6-1/2"	2-7/8"	8-1/4"

JL Anthony finials, brackets and rings are composed of wood, resin, metal or combinations of those materials. Contact the factory for specific information.

J.L. Anthony

RING SPECIFICATIONS

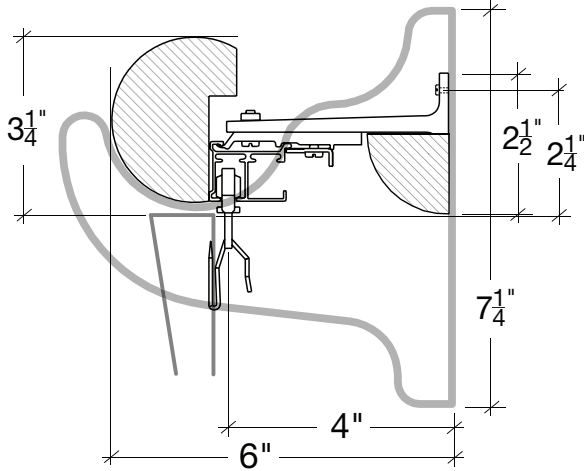
Bracket	Item #	Pole Size	ID	OD
Smooth Ring 	R300-1	3"	3-1/2"	5"
	R225-1	2-1/4"	2-3/4"	4"
	R200-1	2"	2-1/4"	3-3/4"
Fluted Ring 	R300-2	3"	3-1/2"	5"
	R225-2	2-1/4"	2-3/4"	4"
	R200-2	2"	2-1/4"	3-3/4"
Smooth Traversing Ring 	R300-3	3"	3-1/2"	5"
	R225-3	2-1/4"	2-3/4"	4"
	R200-3	2"	2-1/4"	3-3/4"
Fluted Traversing Ring 	R300-4	3"	3-1/2"	5"
	R225-4	2-1/4"	2-3/4"	4"
	R200-4	2"	2-1/4"	3-3/4"

JL Anthony finials, brackets and rings are composed of wood, resin, metal or combinations of those materials. Contact the factory for specific information.

Rings

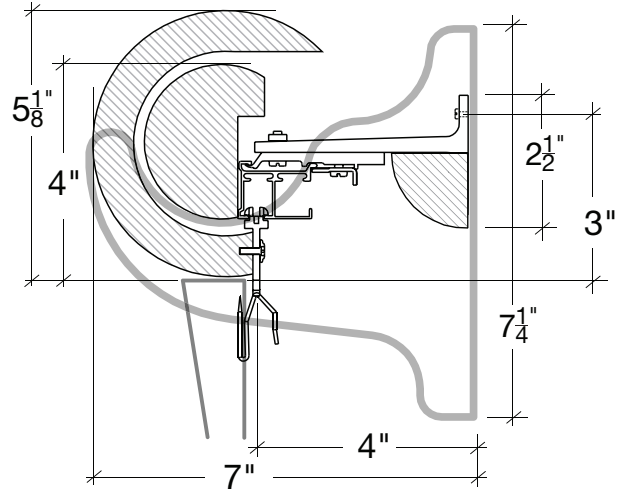
3" DIAMETER POLE SPECIFICATIONS

Traversing Pole without Rings



Pin Set = 1/2"
Top Bracket Screw to Top of Drapery = 2-1/4"

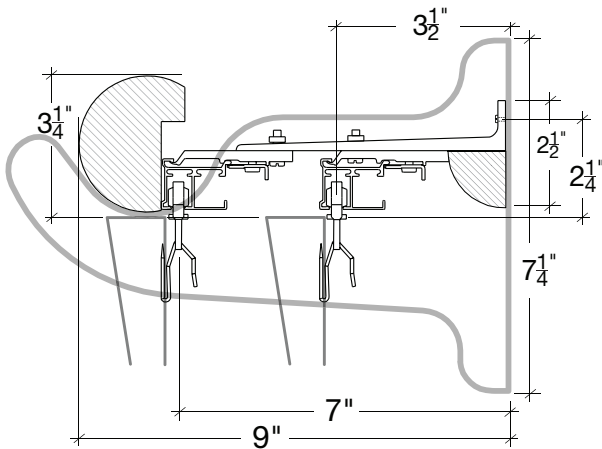
Traversing Pole with Rings



Pin Set = 1/2"
Top Bracket Screw to Top of Drapery = 3"

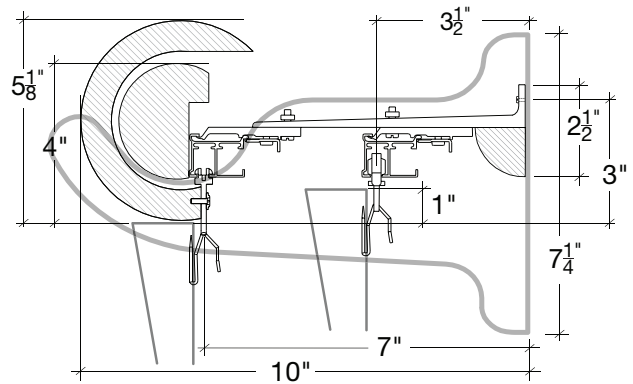
3" Specs

Double Traverse without Rings (Over/Under Setup)



Pin Set = 1/2"
Top Bracket Screw to Top of Drapery = 2-1/4"

Double Traverse with Rings (Over/Under Setup)

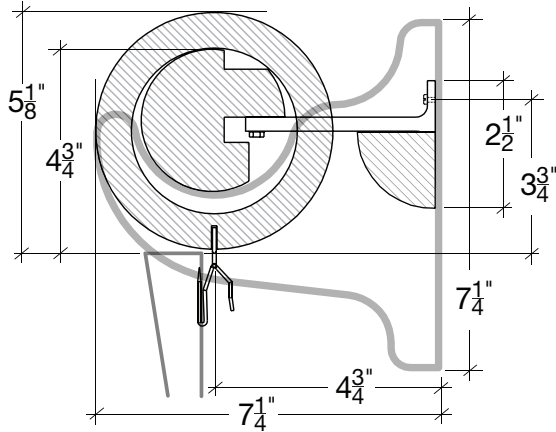


Pin Set = 1/2"
Top Bracket Screw to Top of Drapery = 3"

J.L. Anthony

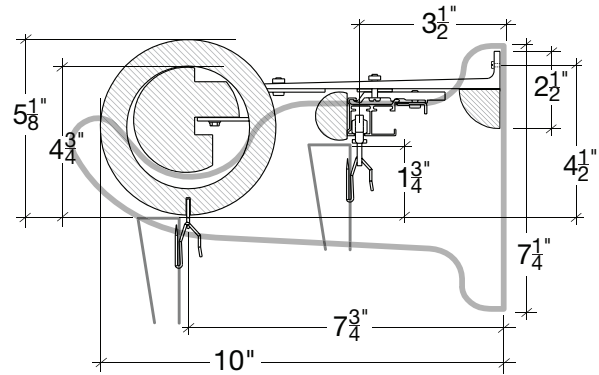
3" DIAMETER POLE SPECIFICATIONS

Non-Traversing Pole with Rings



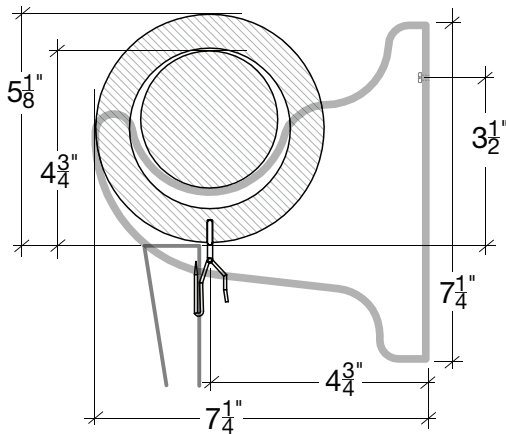
Pin Set = 1/2"
Top Bracket Screw to Top of Drapery = 3-3/4"

Non-Traversing Pole w/Rings & Traversing Under Drapery



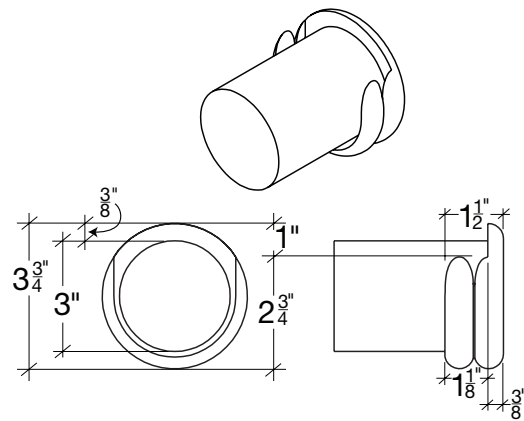
Pin Set = 1/2"
Top Bracket Screw to Top of Drapery = 4-1/2"

Full Round Pole with Rings



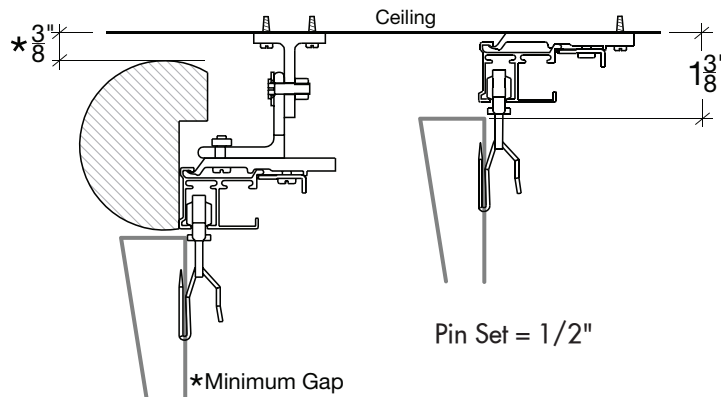
Pin Set = 1/2"
Top Bracket Screw to Top of Drapery = 3-1/2"

Full Round Pole with End Socket



3" Specs

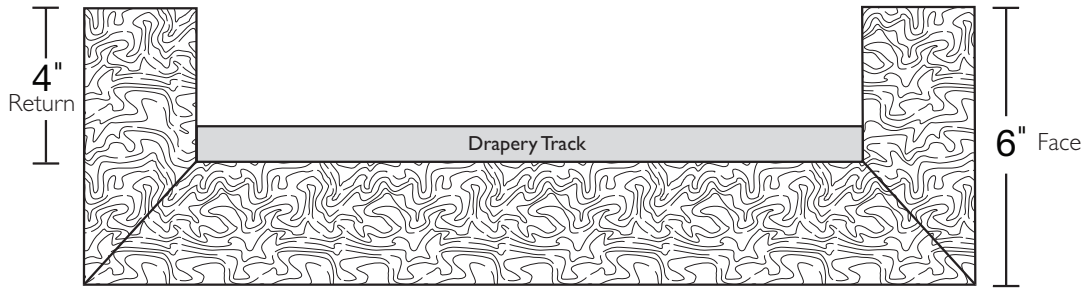
Ceiling Mount Option with Adjustable Bracket



J.L. Anthony

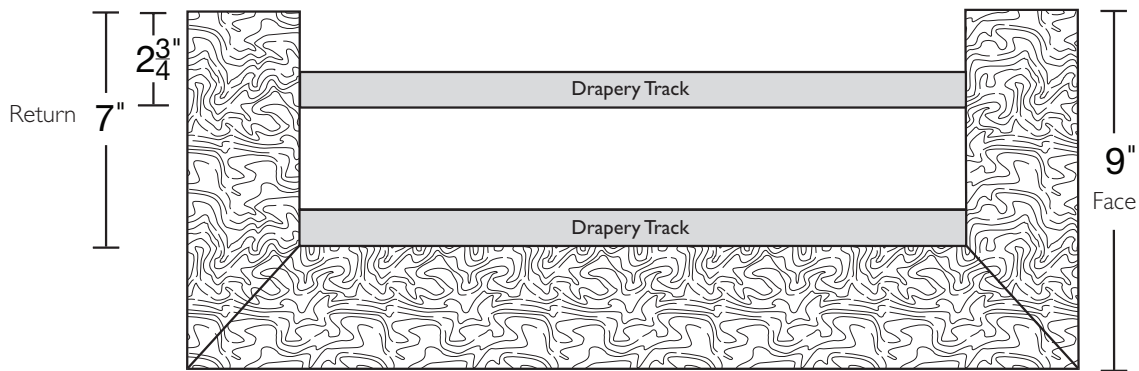
3" DIAMETER MITERED POLE SPECIFICATIONS

Mitered Return



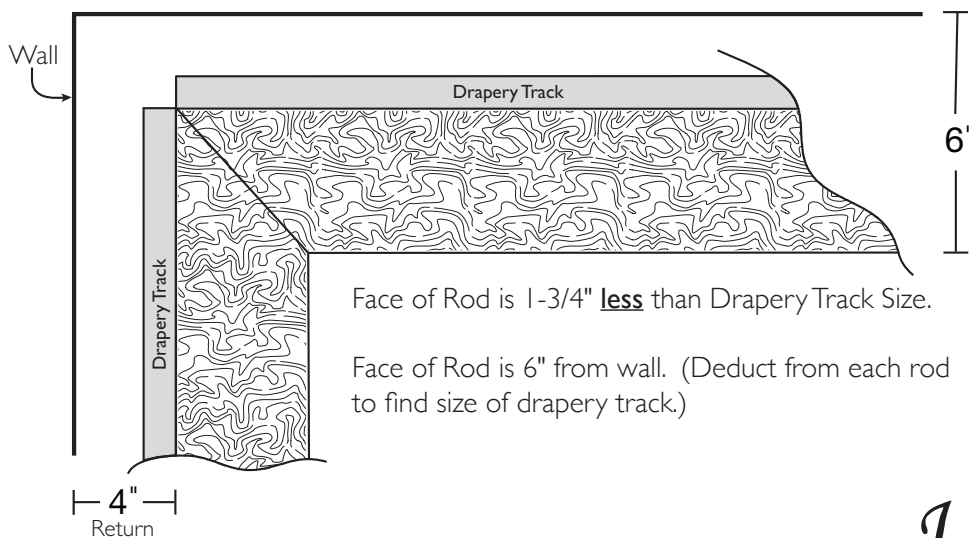
Face of Rod is 3-1/2" **larger** than Drapery Track Size.

Double Set Up



Face of Rod is 3-1/2" **larger** than Drapery Track Size.

Mitered for Corners



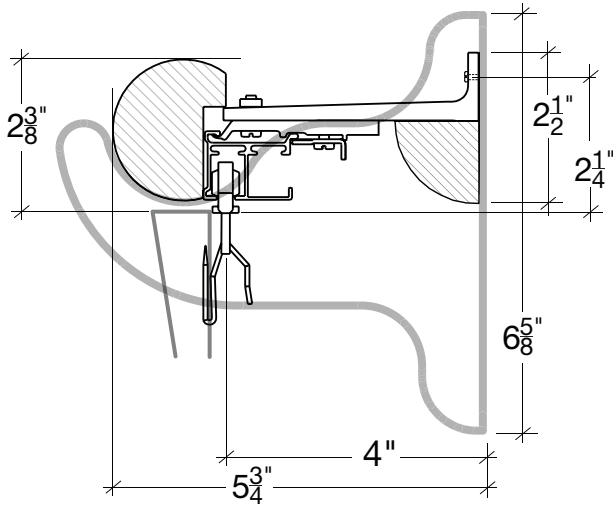
Face of Rod is 1-3/4" **less** than Drapery Track Size.

Face of Rod is 6" from wall. (Deduct from each rod to find size of drapery track.)

3" Specs

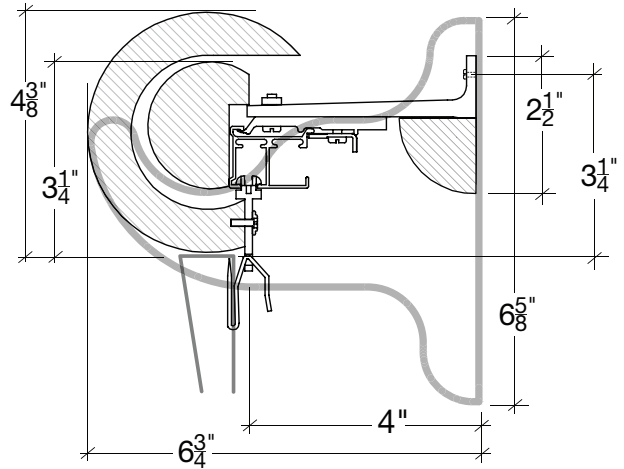
2 1/4" DIAMETER POLE SPECIFICATIONS

Traversing Pole without Rings



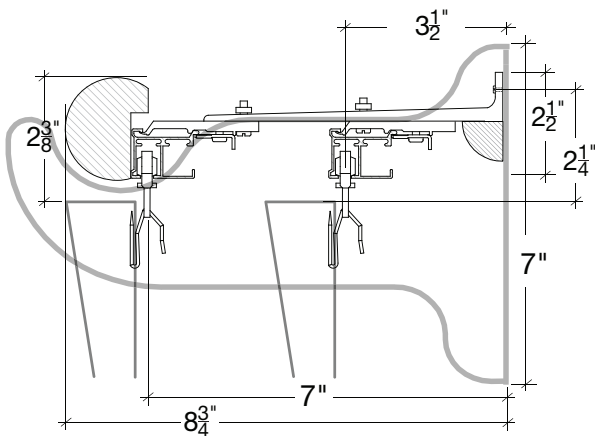
Pin Set = 1/2"
Top Bracket Screw to Top of Drapery = 2-1/4"

Traversing Pole with Rings



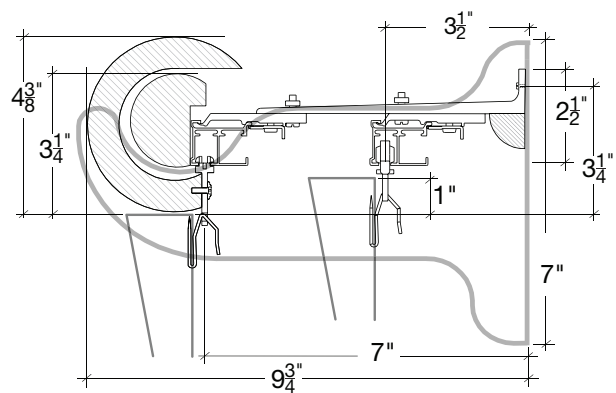
Pin Set = 1/2"
Top Bracket Screw to Top of Drapery = 3-1/4"

Double Traverse without Rings (Over/Under Setup)



Pin Set = 1/2"
Top Bracket Screw to Top of Drapery = 2-1/4"

Double Traverse with Rings (Over/Under Setup)

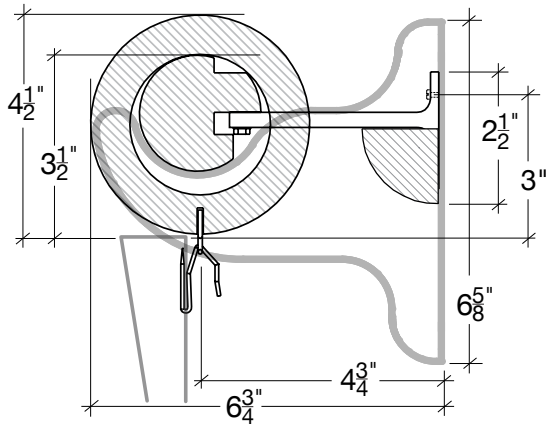


Pin Set = 1/2"
Top Bracket Screw to Top of Drapery = 3-1/4"

2-1/4" Specs

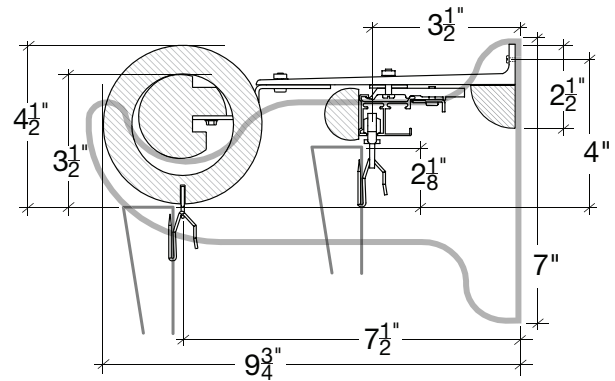
2 1/4" DIAMETER POLE SPECIFICATIONS

Non-Traversing Pole with Rings



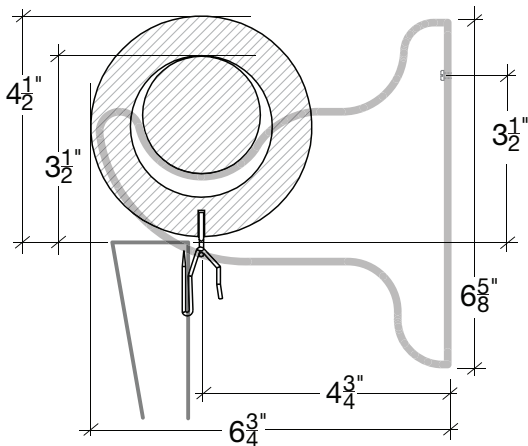
Pin Set = 1/2"
Top Bracket Screw to Top of Drapery = 3"

Non-Traversing Pole w/Rings & Traversing Under Drapery



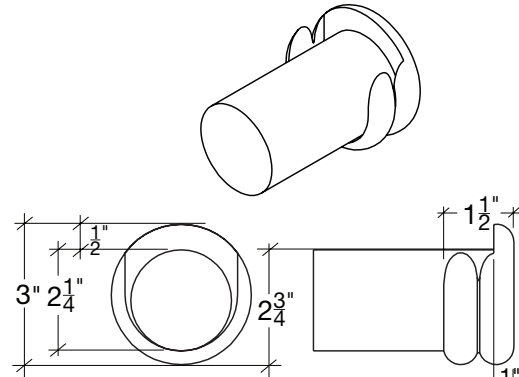
Pin Set = 1/2"
Top Bracket Screw to Top of Drapery = 4"

Full Round Pole with Rings



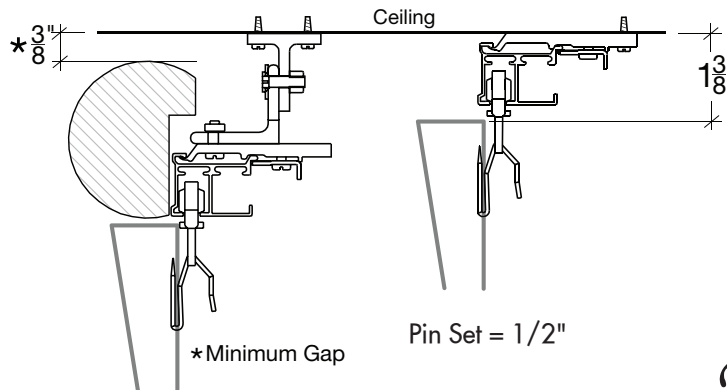
Pin Set = 1/2"
Top Bracket Screw to Top of Drapery = 3-1/2"

Full Round Pole with End Socket



2-1/4" Specs

Ceiling Mount Option with Adjustable Bracket

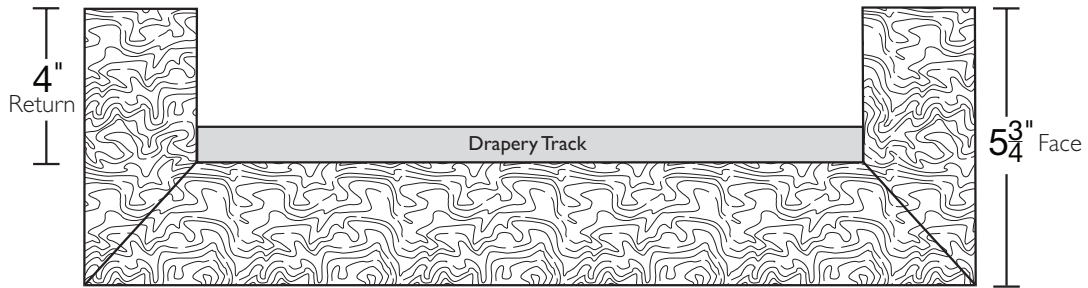


Pin Set = 1/2"

J.L. Anthony

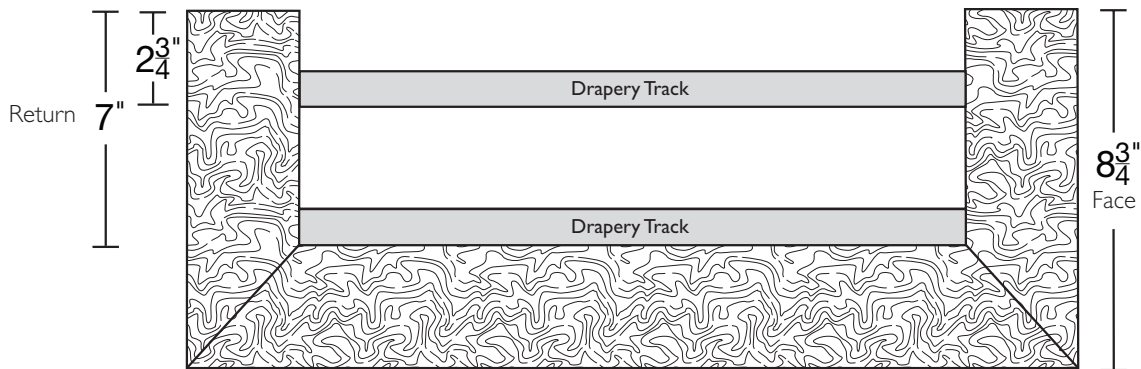
2 1/4" DIAMETER MITERED POLE SPECIFICATIONS

Mitered Return



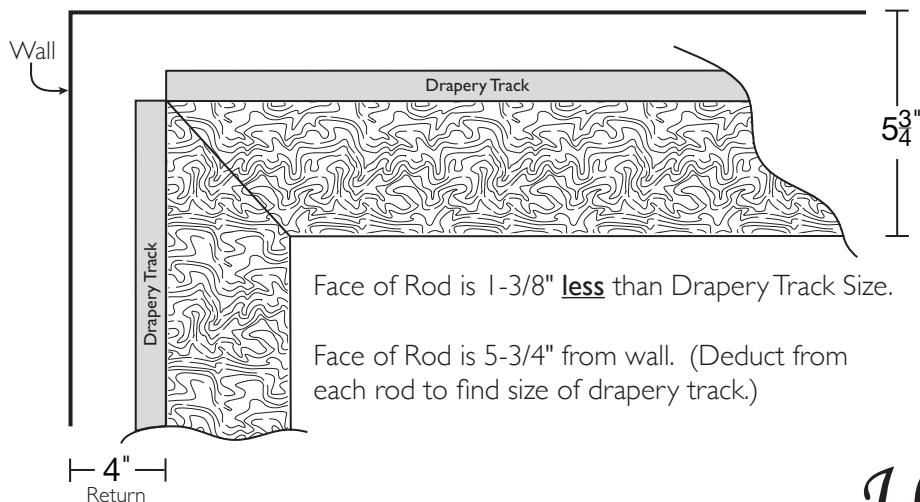
Face of Rod is 2-3/4" **larger** than Drapery Track Size.

Double Set Up



Face of Rod is 2-3/4" **larger** than Drapery Track Size.

Mitered for Corners



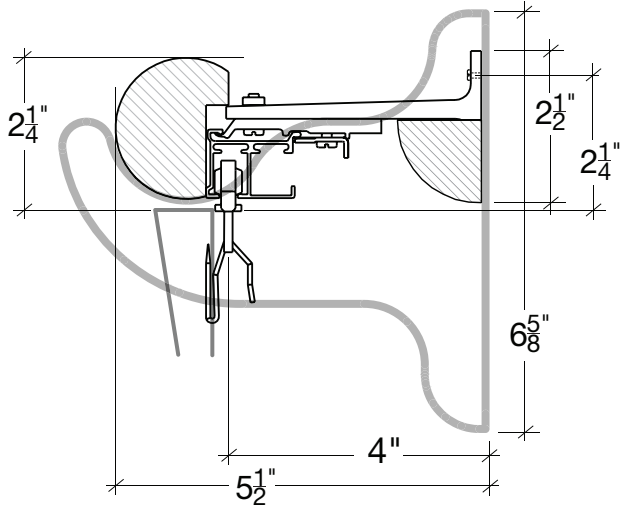
Face of Rod is 1-3/8" **less** than Drapery Track Size.

Face of Rod is 5-3/4" from wall. (Deduct from each rod to find size of drapery track.)

2-1/4" Specs

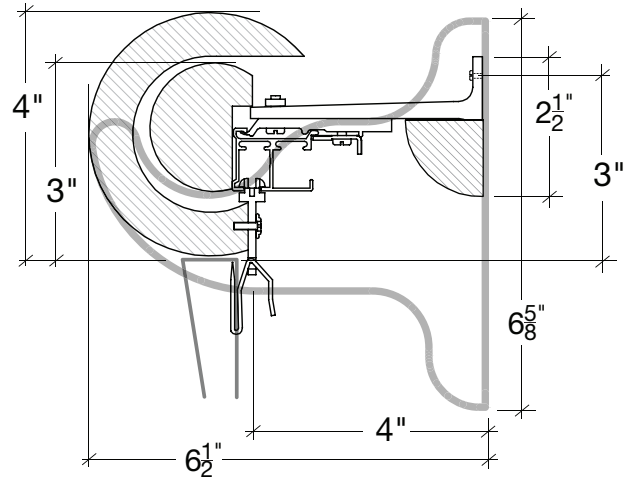
2" DIAMETER POLE SPECIFICATIONS

Traversing Pole without Rings



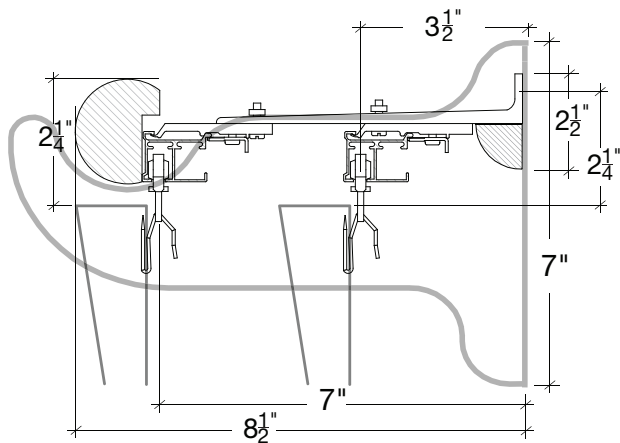
Pin Set = 1/2"
Top Bracket Screw to Top of Drapery = 2-1/4"

Traversing Pole with Rings



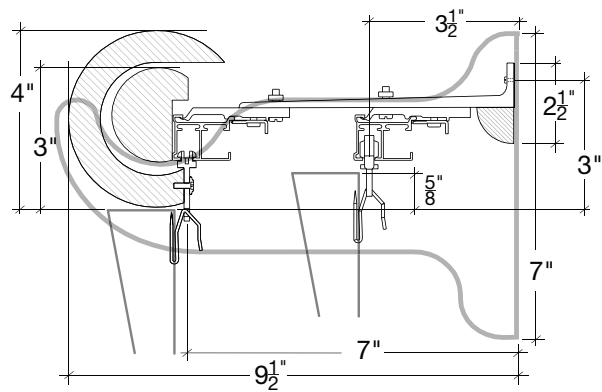
Pin Set = 1/2"
Top Bracket Screw to Top of Drapery = 3"

Double Traverse without Rings (Over/Under Setup)



Pin Set = 1/2"
Top Bracket Screw to Top of Drapery = 2-1/4"

Double Traverse with Rings (Over/Under Setup)

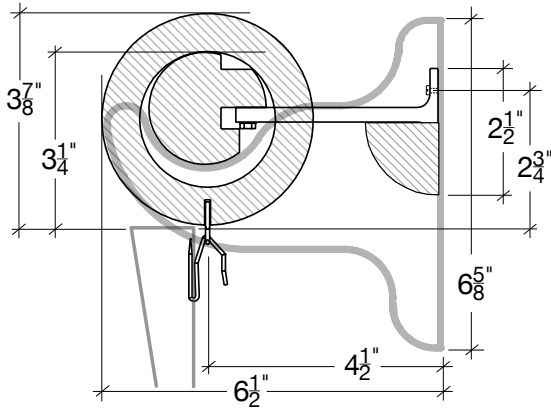


Pin Set = 1/2"
Top Bracket Screw to Top of Drapery = 3"

2" Specs

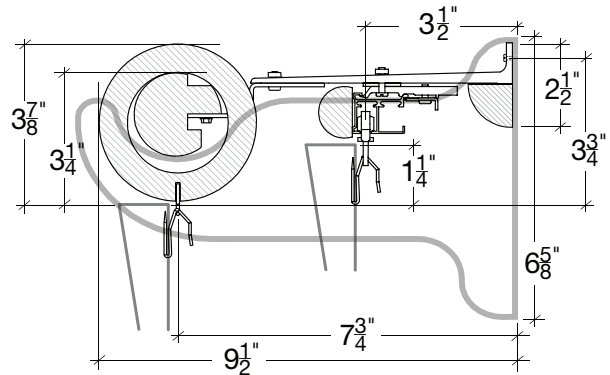
2" DIAMETER POLE SPECIFICATIONS

Non-Traversing Pole with Rings



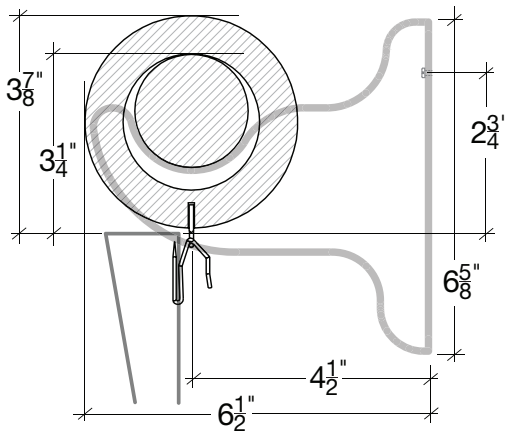
Pin Set = 1/2"
 Top Bracket Screw to Top of Drapery = 2-3/4"

Non-Traversing Pole w/Rings & Traversing Under Drapery



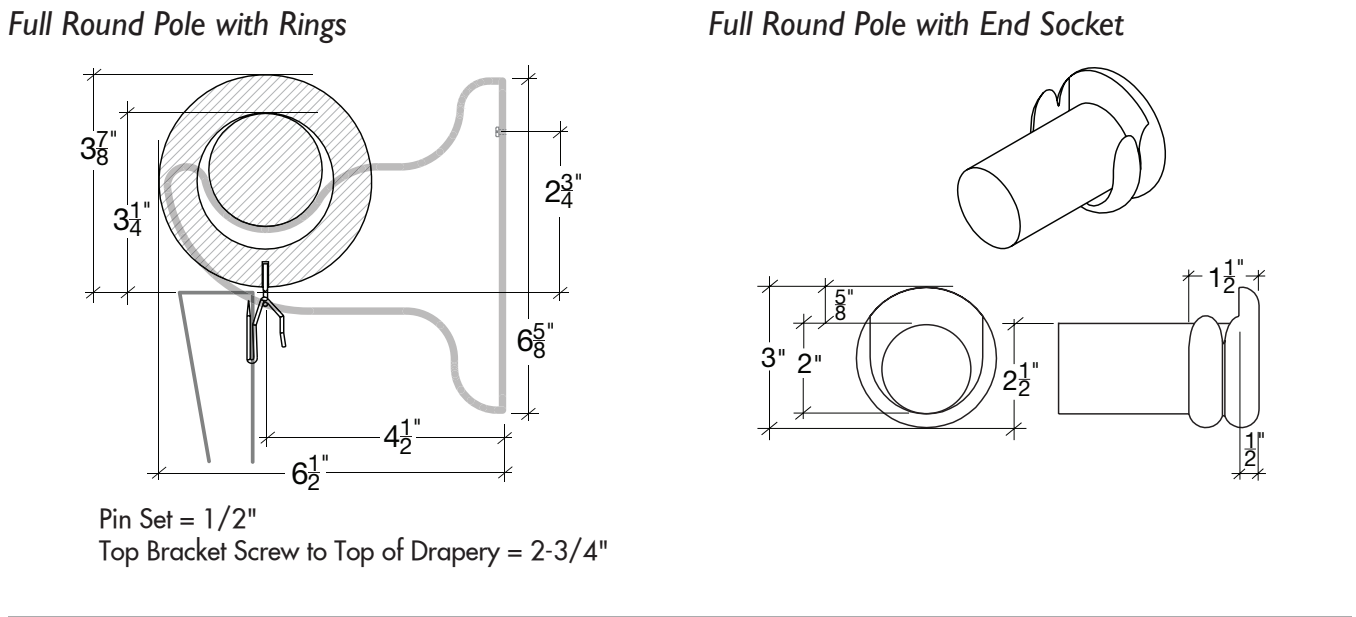
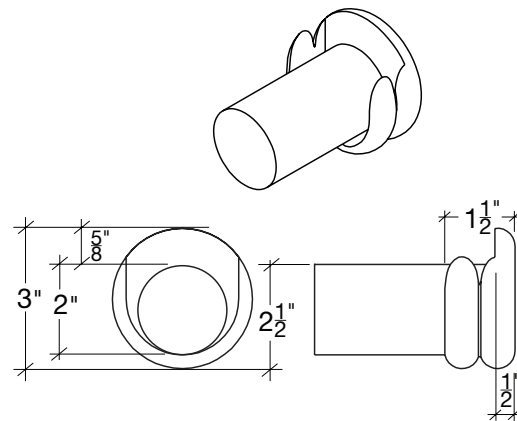
Pin Set = 1/2"
 Top Bracket Screw to Top of Drapery = 3-3/4"

Full Round Pole with Rings

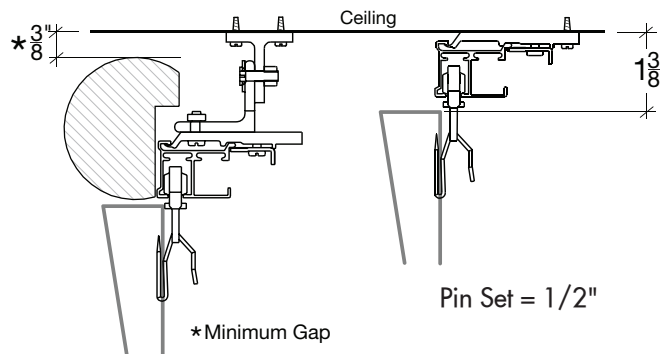


Pin Set = 1/2"
 Top Bracket Screw to Top of Drapery = 2-3/4"

Full Round Pole with End Socket



Ceiling Mount Option with Adjustable Bracket

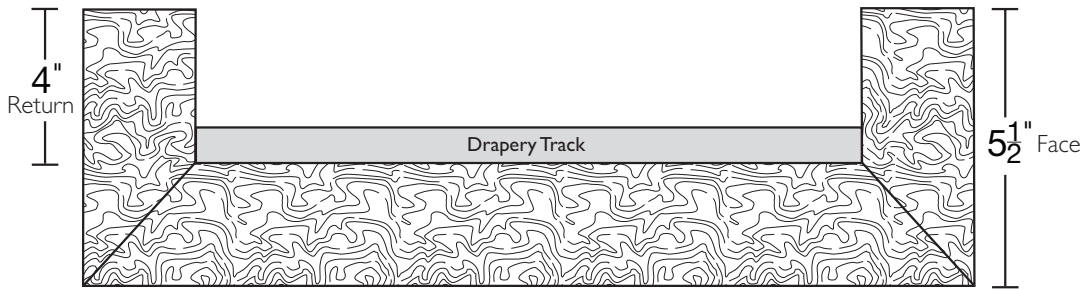


Pin Set = 1/2"

2" Specs

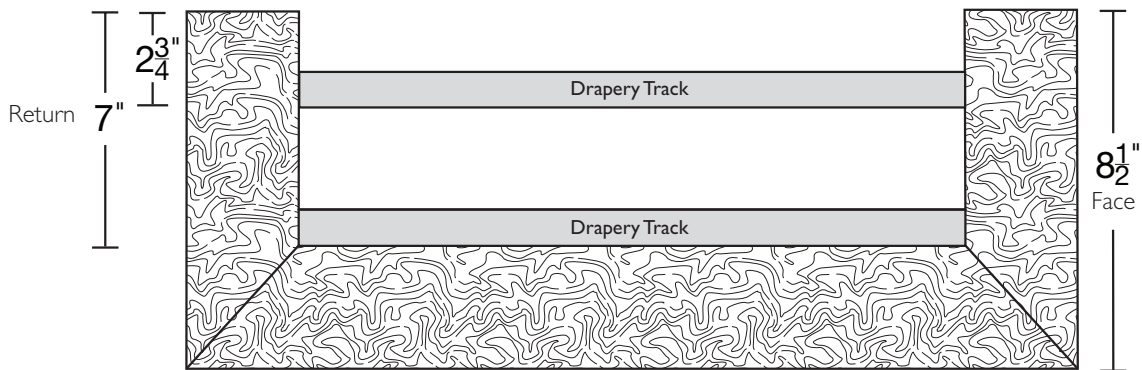
2" DIAMETER MITERED POLE SPECIFICATIONS

Mitered Return



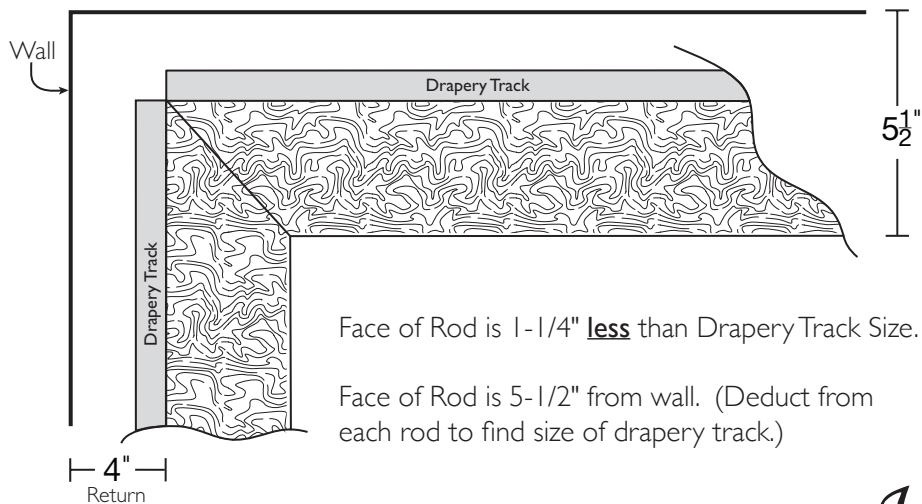
Face of Rod is 2-1/2" **larger** than Drapery Track Size.

Double Set Up



Face of Rod is 2-1/2" **larger** than Drapery Track Size.

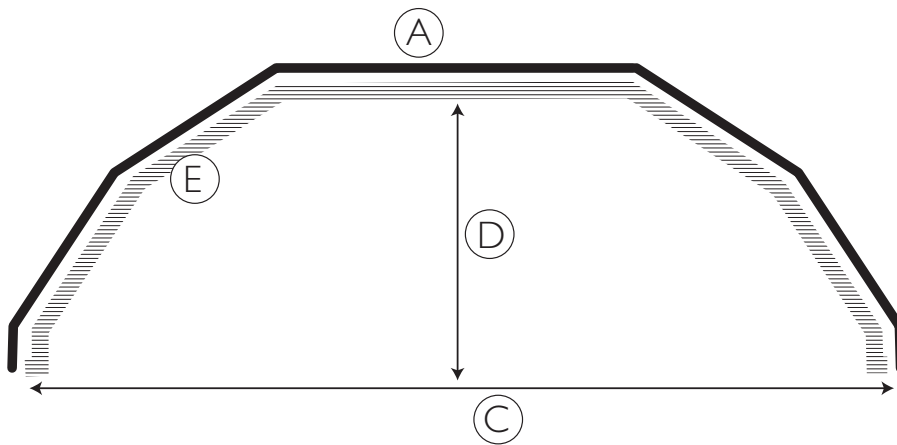
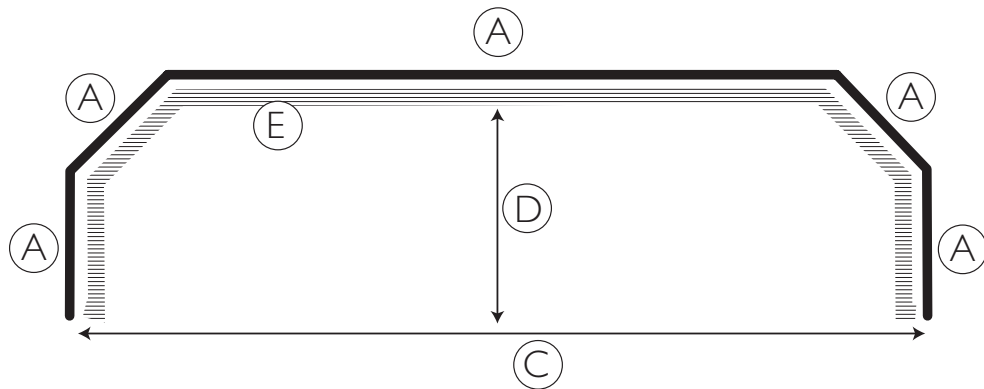
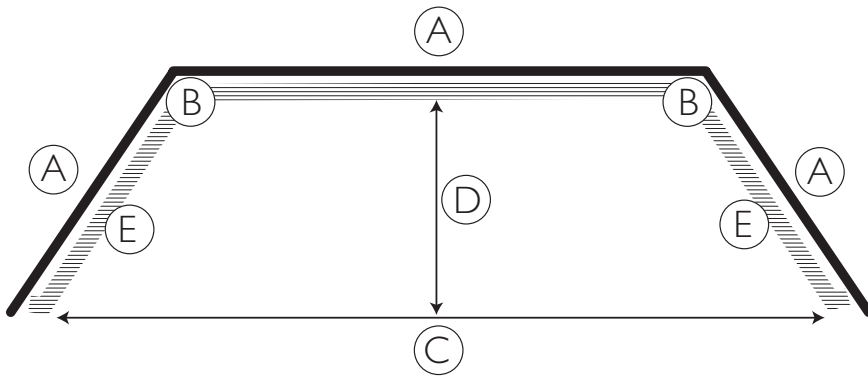
Mitered for Corners



Face of Rod is 1-1/4" **less** than Drapery Track Size.

Face of Rod is 5-1/2" from wall. (Deduct from each rod to find size of drapery track.)

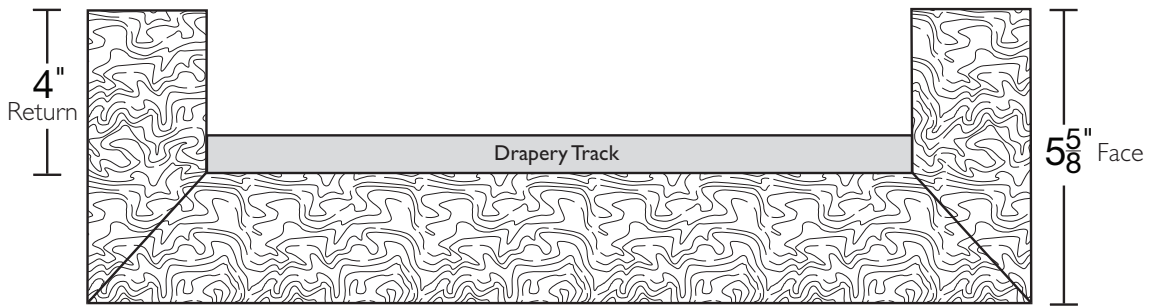
MEASUREMENTS NEEDED FOR BAY WINDOWS



- A = Measurement of Wall Sizes
- B = Angles of Bay in Degrees (if possible)
- C = Width of Opening
- D = Depth of Bay
- E = Area Drapery is to cover or where rods are to end. Not including finials or mitered elbows.

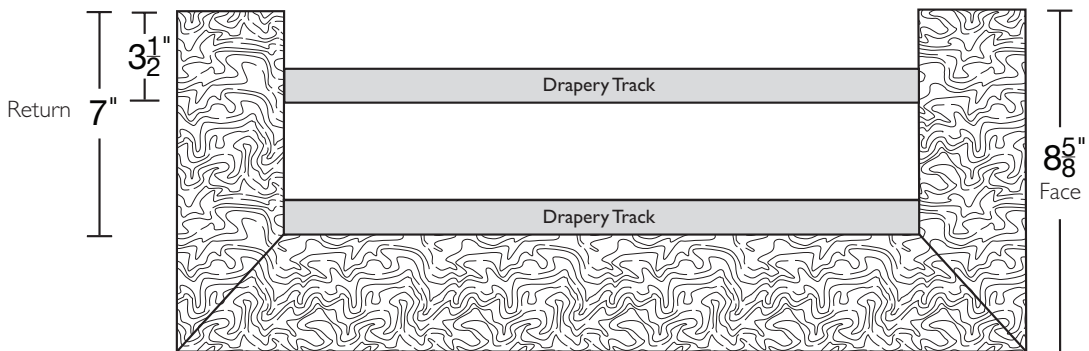
2 1/4" DIAMETER SQUARE MITERED POLE SPECIFICATIONS

Mitered Return



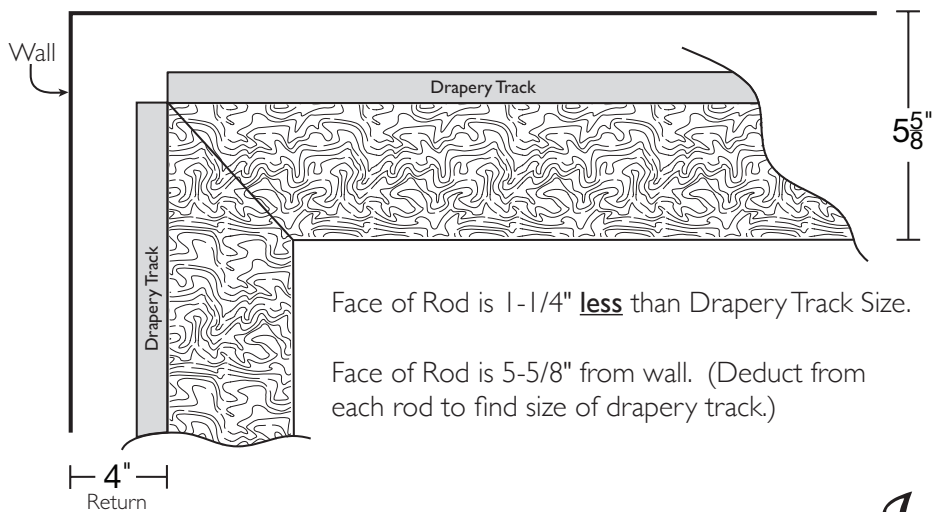
Face of Rod is 2-1/2" **larger** than Drapery Track Size.

Double Set Up



Face of Rod is 2-1/2" **larger** than Drapery Track Size.

Mitered for Corners



Face of Rod is 1-1/4" **less** than Drapery Track Size.

Face of Rod is 5-5/8" from wall. (Deduct from each rod to find size of drapery track.)

2-1/4" Specs



To find a dealer near you please visit
our website at www.jlanthony.com.